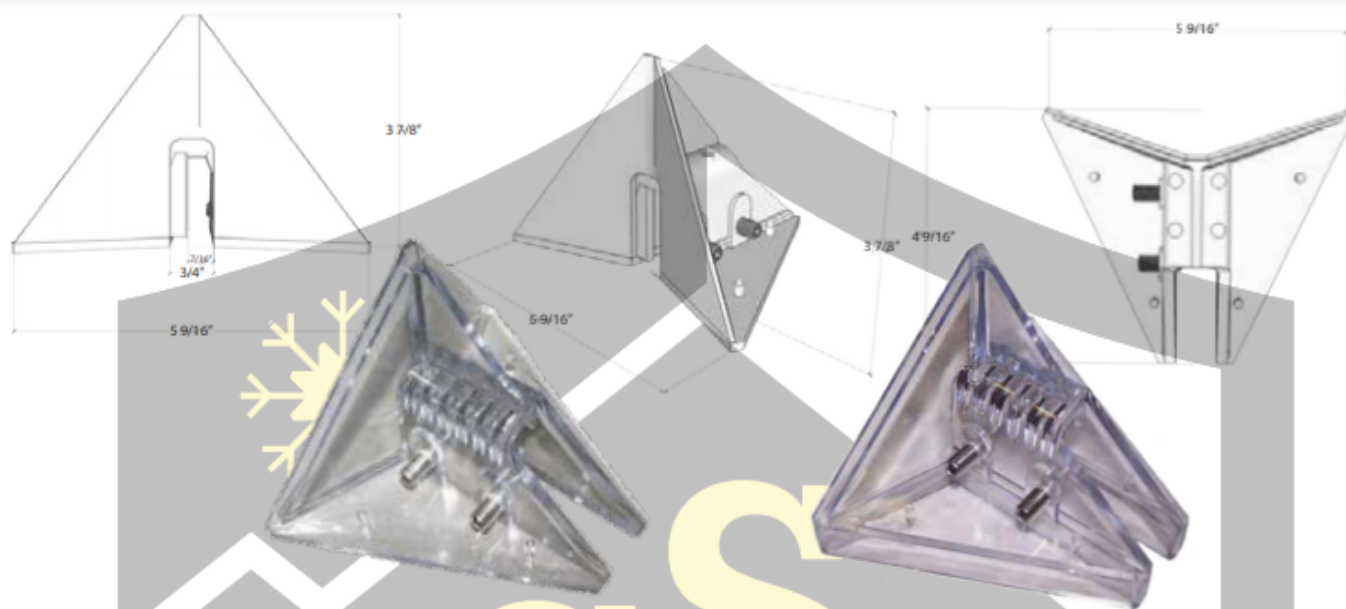


Rib Guard Snow Guard



Rib Guard 1
Rib height up to 1 1/2"

Rib Guard 2
Rib height up to 2 1/4"

The Rib Guard is a standing seam metal roof snow guard designed to clamp on to standing metal panel without penetrating the roof. This clamp on snow guard is attached to the rib using two stainless steel set screws and multiple structural cleats. The clamp on snow guard style helps avoid potential leaks and warranty violations. The Rib Guard is available in two widths to accommodate different standing seam profiles. Customize the Rib Guard with our Color Armor for a perfect match to any roof. The terms standing seam snow guard and clamp on snow guard refer to the same style of snow guards. These standing seam snow guards are one of our most popular models due to the ease of installing.

- Made from durable, virgin grade, UV stabilized polycarbonate
- Clear polycarbonate blends in with the roof
- Attractive design for enhanced aesthetics
- Standing seam snow guard attaches to the standing seam ribs without penetrating the panel
- 5.5 inch wide base and 4 inch height for more stopping power
- Can be attached in any weather
- Y-shaped design for more effective collection of snow
- Uses no adhesives for quick and clean installation
- Clamp on snow guard helps avoid leaks and supplies ample stopping power

If you need snow guards for metal roofing, the Rib Guard is an excellent option from our snow retention systems product line. The Rib Guard is made from virgin grade, UV-stabilized polycarbonate. It offers a similar attractive design and the same broad span as The Panel Guard but adds the ability to attach to the ribs of standing seam metal roofs. The Rib Guard utilizes the strength of two structural cleats designed into the product itself against the opposing force of two stainless steel set screws that pinch the snow guard to the rib without penetrating the panel. This method of attachment is ideal when potential leaks and warranty violations need to be avoided.

To find a distributor call 855-800-8878 or visit www.directmetalsinc.com

Rib Guard Snow Guard



Specifications

4-9/16" L x 5-9/16" W x 3-7/8" H

Injection molded virgin grade polycarbonate plastic treated with UV stabilizers.

Tensile Strength: 9,000 psi (ASTM Test D-638)

Elongation: 140% (ASTM Test D-638)

Strength (Notched Izod): 12 ft-lb/in (ASTM Test D-256)

Modulus: 335,000 psi (ASTM Test D-790)

COO: Made in U.S.A.

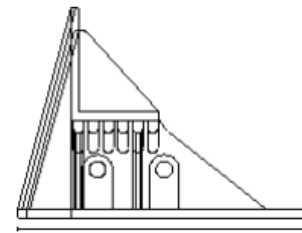
Approximated values are average ultimate values. Values may change with strength and condition of substrate.

Selection

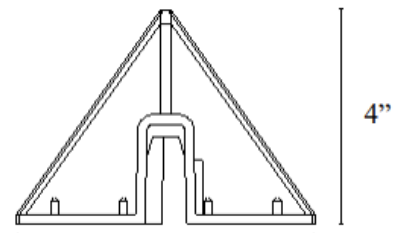
Rib Guard 1= to fit up to 1-1/2" - 1-3/4" SS (50/bx)

Rib Guard 2= to fit 1-1/2" - 2-1/4" SS (50/bx)

Rib Guard

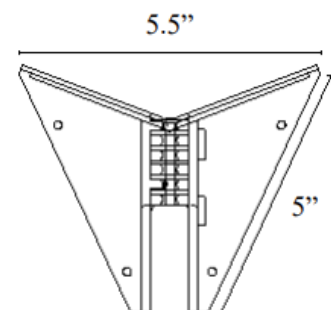


4.5"



4"

5.5"



5.5"

5"

To find a distributor call 855-800-8878 or visit www.directmetalsinc.com

Rib Guard Snow Guard Installation Guide



Note: These installation instructions are provided as assistance to installers. Direct Metals Inc takes NO responsibility for errors in application or omissions and cannot be held responsible for product installation.

Sno Shield Inc warrants the products themselves, not the installation. See Warranty Information.

Tip: Proper torque will vary depending on the type and gauge of the metal roof. It is recommended that the installer test one Rib Guard first to determine the correct torque required to obtain the desired compression.

Please note that the set screw nearest to the face is the one which gets the most torque. The back set screw is merely a positioning screw. Tightening until the screws create an indentation in the metal will provide a stronger hold. Extreme over tightening, however, can cause the product to fail.

1. Place first snow guard on seam (rib) approximately two feet (2) above eave of roof or directly above the exterior supporting wall where possible
2. Use hex bit socket and 3/8" (9.5 mm) ratchet or a screw gun to tighten set screws with reasonable torque. ***Please note that the majority of the Rib Guard's strength is derived from the top screw (the screw closest to the face) and close attention should be given to ensure that this screw is tight.***
3. Subsequent guards should normally (but not always) be placed in a staggered pattern across roof as shown below (panel width, roof pitch, and design load will determine whether a snow guard is required on every rib and the required vertical distance from one row to the next):

I	X	I	X	I	X	I	X	I	X	I
X	I	X	I	X	I	X	I	X	I	X

(The "X" represents the snow guards; the "I" represents the seams)

4. Continue in pattern of staggering the snow guards across the eave (width) and up towards the ridge (length) of the roof

Important: Please note that placement and number of snow guards required will vary depending on snow load, roof pitch, rafter and eave length, panel width, etc. Please follow Sno Shield Inc.'s customized layout recommendations and industry guidelines, and rely on a qualified design professional for each specific project.

To find a distributor call 855-800-8878 or visit www.directmetalsinc.com