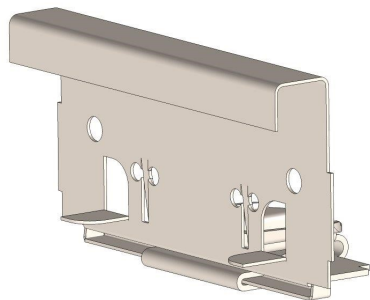


# 1-1/2" Mechanical Lock Panel Expansion Clips



## Features:

- Made in the U.S.A
- Manufactured to consistent specifications
- Fastener relief built into height of clip to help relieve dimpling of panel.
- Available in galvanized and 304 Stainless Steel
- Designed to allow for expansion and contraction
- Single or Double Lock Styles Available
- Designed for Panel to wood or steel substrates when used with Panclip pancake head fasteners.

## Specifications

Made to fit 1-1/2" Mechanical Lock Standing Seam Metal Roofing Panels for Newtech Panel machines and Schlebach Quadro Panels .

One piece expansion style panel clip best suited for open purlin applications.

### Compliance:

- Conforms to FBC 1507.4.3 requirements.
- Conforms to FBC R904.5.3 requirements.

### Material:

Galvanized clips have G90 galvanized top and base. Stainless clips have 304 Stainless Steel top and G90 galvanized base.

### Labelling:

Box labelling will vary as this product is private labelled for many different manufacturers.

### Country of Origin:

Made in the U.S.A.

## Selection

### Standard Stock

<u>Stock - Galvanized</u>	<u>Qty/Box</u>	<u>Part#</u>
1-1/2" MLE 16G/22G	100	CMEMLG150

### Standard Stock

<u>Stainless Steel</u>	<u>Qty/Box</u>	<u>Part#</u>
1-1/2" MLE 16G/24S	100	CMEMLS150

### Special order

<u>Stainless Steel</u>	<u>Qty/Box</u>	<u>Part#</u>
1-1/2" MLE 16G/26S	100	CMEMLS150LD
1-1/2" MLE 16G/22S	100	CMEMLS150HD

## Installation

Please see panel manufacturers approved installation guides for installation instructions.

## Compliance

Any and all ratings for this panel clip are applied for and tested by the panel manufacturer. Please contact the panel manufacturer for any compliance or approval numbers. DMI does not test applications or field conditions for this product as it may vary per application, and must be tested as an assembly.

*MSDS Based on current requirements of the occupational safety and health administration code, 26CFR, part 1910120 (Hazard communication), it has been determined that the product is considered "articles". A material safety data sheet is not required for items meeting the code definition of "article". Installation guide available upon request.*

**To find a distributor call 855-800-8878 or visit [www.directmetalsinc.com](http://www.directmetalsinc.com)**