

Retrofit Residential MasterFlash



Electrical Mast Connection DMI Retrofit Residential MasterFlash PN DMIEMC101BS

Specifically designed for the Residential roofing Industry.

DMI Retrofit Residential Masterflash are compounded specifically for maximum resistance to weathering due to ozone and ultraviolet light.

The base is designed to mold to most configurations and roof pitches regardless of pipe location.

Easy to see pipe diameter markings make for an easy on-site installation.

Built in 20 deg pitch allows adaptability to almost any roof pitch including 45 deg.

No hassle stainless steel gripper to secure retrofit application.

Tested to continuous 212 deg F high temperature resistance.
Tested to -67 deg F low temperature resistance.
Advanced ozone resistance tested to 70 hours @ 500 pphm.

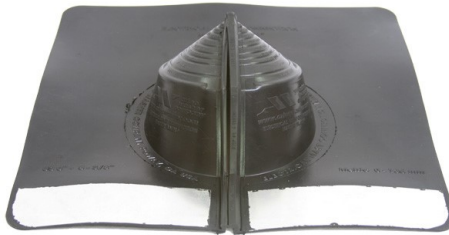


Limited 20 year weather-ability warranty.

Part# DMIEMC101BS

For Electrical Mast 0" - 5-3/8"
Top Opening closed
Cut to suit pipe size 0" - 5-3/4"
Base dimensions 15" x 15"

10 Pieces per carton.



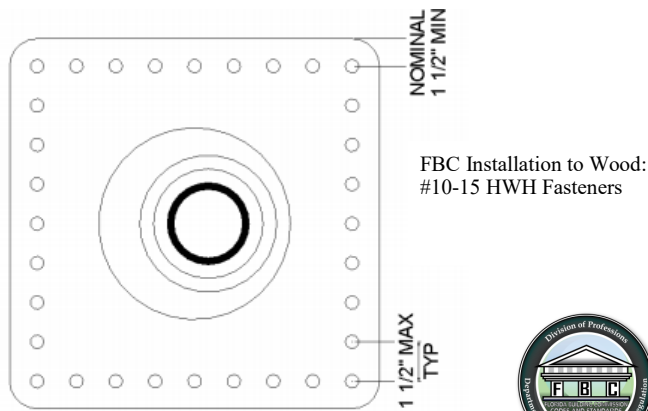
Florida Building Code Approved
Approval # FL 28400.1



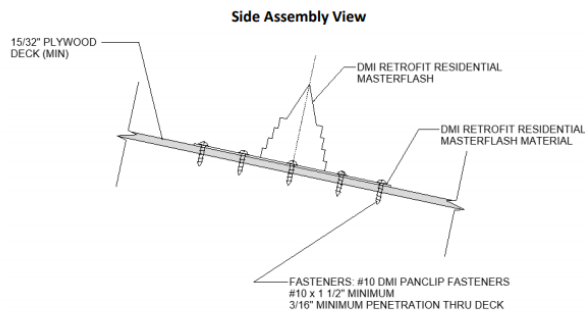
100% Made in North America,
Buy American Plan compliant.

To find a stocking distributor call 855-800-8878 or visit www.directmetalsinc.com

Installation Guide Residential Retrofit EMC Shingle Roofing Flashing



35 FASTENERS



Suggested Installation Accessories

Fasteners to Wood Substrate
#10-15 x 1-1/2" PANCLIP

Part#
DMIPD10150T

Sealant for under base
7108 Permathane 300 ML Tubes

Part#
DMISM7108



EMC Size and Trimming Chart (Inches)

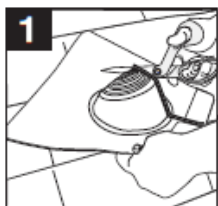
EMC	EMC Size and Trimming Chart (Inches)
Closed	Pipe Dimension
1	187-875
2	1.0-1.37
3	1.50-1.87
4	2.0-2.37
5	2.37-3.0
6	3.0-3.37
7	3.37-4.0
8	4.0-4.50
9	4.75-5.37
15.0	Base

Pipe Range Standard:
0" - 5-3/8" (0 - 136mm)
Base Dimensions:
15" X 15" 381 X 381mm

* Find pipe size in table and trim EMC Master Flash® as shown on outline.

5 Easy Steps Installation Materials: EMC • (3) Grippers • Hammer • Pliers • Snips and Scissors

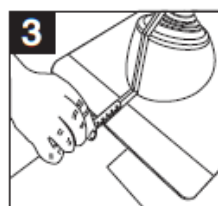
MeasuringTape • Marker or Pencil • Sealant



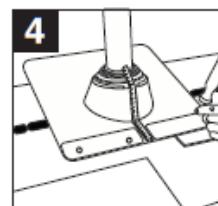
1 Measure for correct pipe size. Cut (EMC) flashing 5% less than pipe measurement for a tight fit.



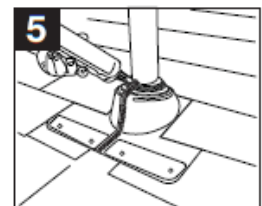
2 Wrap (EMC) flashing around pipe. Outline the EMC with a marker or pencil and apply sealant.



3 Slide gripper up towards pipe. Close by crimping with a pair of pliers. Measure and cut accordingly and repeat.



4 Secure base with sealant and roofing nails.



5 Finish applying shingles over sides and upper portion of the (EMC) flashing. Apply sealant around the top of the (EMC) flashing where it meets the pipe.

MSDS: Based on current requirements of the occupational safety and health administration code, 26CFR, part 19101200 (Hazard communication), it has been determined that our pipe flashing products are considered "articles". A material safety data sheet is not required for items meeting the code definition of "article".

To find a distributor of DMI products please visit www.directmetalsinc.com or call 855-800-8878