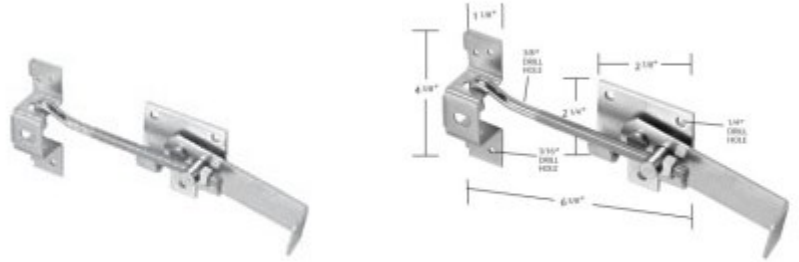


JAMB LATCH 7" W/SNUGGER

DMIW600



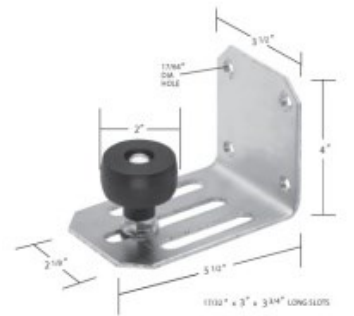
CENTER LATCH

DMIW610



STAY ROLLER

DMIW800



DOOR PULL & DOOR PULL WHITE

DMIW503 & DMIW503W



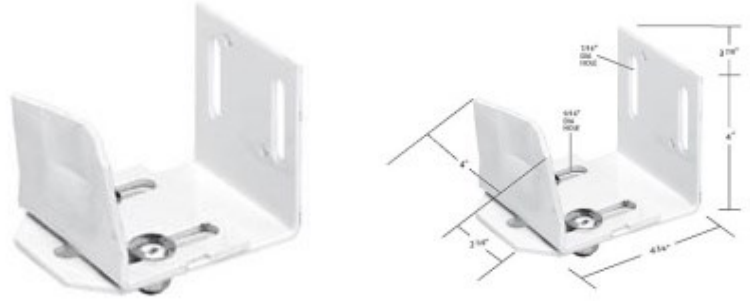
DOOR BINDER / STOP

DMIW540



SINGLE BINDER / STOP

DMIW545



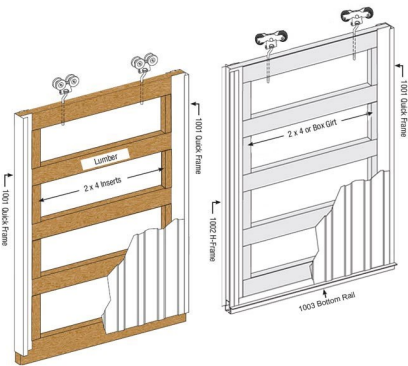
CHAIN SNUGGER

DMIW900



DOOR SYSTEMS

1-1/2" Sliding Door Systems



DMIW1001 White Aluminum Quick Frame - Made in the U.S.A.
Lumber fit for standard 2 x 4 or 2 x 6 and provides smooth, safe sides for door openings. Packaged in pieces, bundled per order, available in 8, 10, 12, 14, and 16' lengths.

DMIW1002 White Aluminum H Frame - Made in the U.S.A. -
Designed for use with bi-parting doors, provides concealed mating between units covering both door edges. Packaged in pieces, bundled per order, available in 8, 10, 12, 14, & 16' lengths

DMIW1003 White Aluminum Bottom Rail - Made in the U.S.A.
Mounts to bottom of door and accepts the #64 rail guide to firmly anchor and guide door along building during operation. Available in 8, 10, 12, 14, 16, 18, and 20' lengths.

DMIW1005 White Aluminum Bottom Rail - Made in the U.S.A.
Mounts on face of wood bottom rail and provides a smooth surface for a stay roller. Available in 8, 10, 12, 14, 16, 18, and 20'

DMIW2004 Galvanized Steel Girt - Made in the U.S.A.
20 ga Galvanized steel (1-1/2" x 3-1/2" lock seam tube). Can be used in place of wood horizontal girts to eliminate warping, bowing, and cracking of door panels. Special order 6' up to 20'

