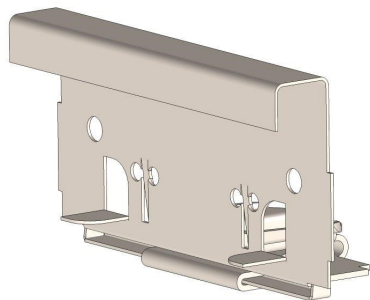


2" Mechanical Lock Panel Expansion Clips



Features:

- Made in the U.S.A
- Manufactured to consistent specifications
- Fastener relief built into height of clip to help relieve dimpling of panel.
- Available in galvanized and 304 Stainless Steel
- Designed to allow for expansion and contraction
- Single or Double Lock Styles Available
- Designed for Panel to wood or steel substrates when used with Panclip pancake head fasteners.

Specifications

Made to fit 2" Mechanical Lock Standing Seam Metal Roofing Panels

3/4" top fits Newtech Panel

5/8" top fits Quadro Pro Panel

Galvanized material or Stainless Steel Material

Galvanized Clips have G90 Top and Base

Stainless Clips have 304 Stainless top and G90 Galvanized Base

Box labelling will vary as this product is private labelled for many different manufacturers.

Country of Origin:

Made in the U.S.A.

Selection

Single Lock Panel Clip Selection

Type	Newtech	Qty/Box	Part#
2" MLE 16G/22G		100	CMEMLG200NT
2" MLE 16G/24S		100	CMEMLS200NT

Type	Quadro Pro	Qty/Box	Part#
2" MLE HD16G/22G		100	CMEMLG200QP
2" MLE HD16G/24SS		100	CMEMLS200QP

Installation

Please see panel manufacturers approved installation guides for installation instructions.

Compliance

Any and all ratings for this panel clip are applied for and tested by the panel manufacturer. Please contact the panel manufacturer for any compliance or approval numbers. DMI does not test applications or field conditions for this product as it may vary per application, and must be tested as an assembly.

MSDS Based on current requirements of the occupational safety and health administration code, 26CFR, part 1910120 (Hazard communication), it has been determined that the product is considered "articles". A material safety data sheet is not required for items meeting the code definition of "article". Installation guide available upon request.

To find a distributor call 855-800-8878 or visit www.directmetalsinc.com