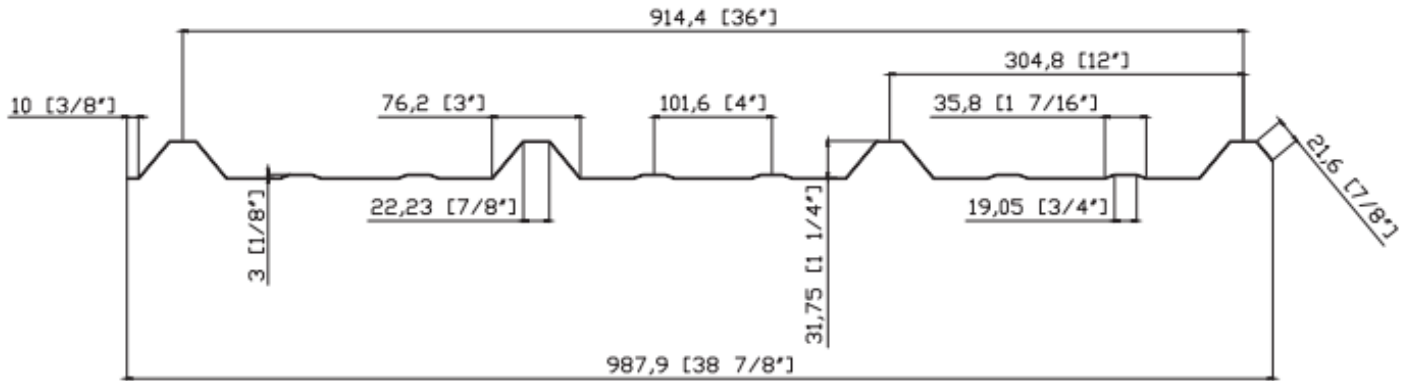
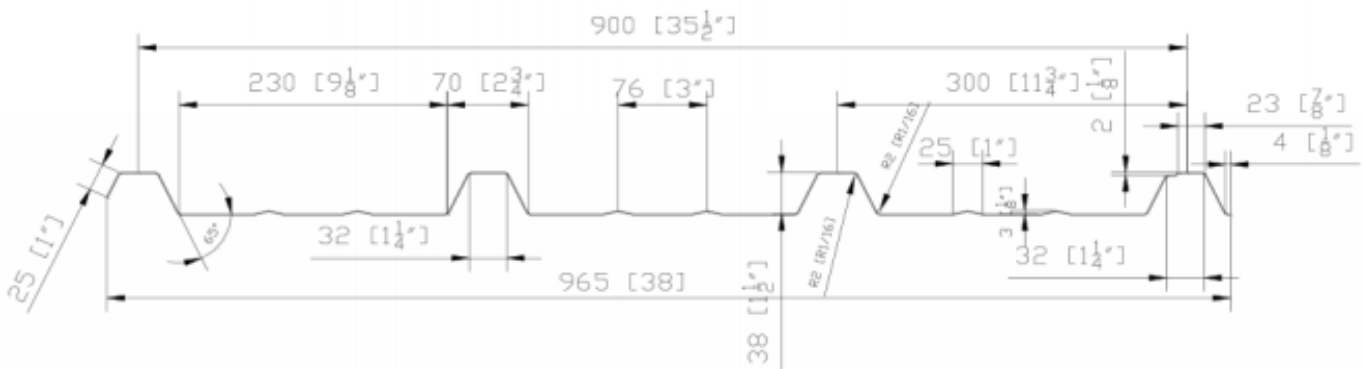


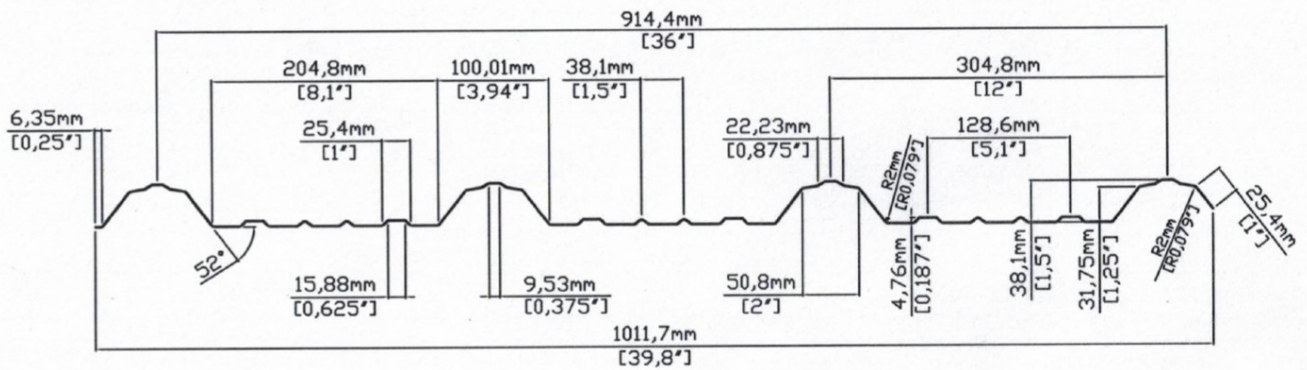
"R" Panel variants for translucent panels



MR12 available in 1.0mm, 1.5mm and 2.0mm thickness, Standard R Panel



BR2 available in 1.5mm Soft White

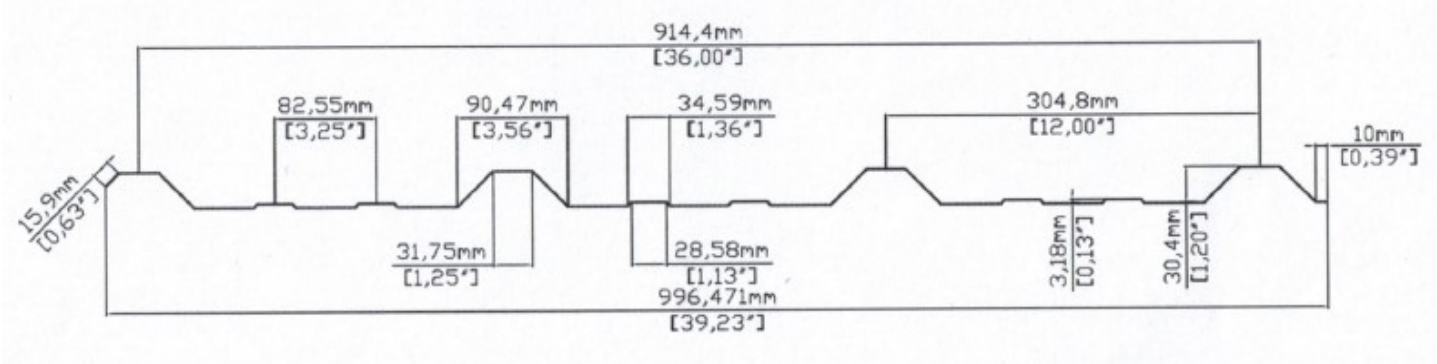


| | | | | |
|-----------------------|-----------------------|--------------------------------------|-----------------------------|----------------------------------|
| Pitch 12"(304.8mm) | Depth 1.5"(38.1mm) | Secondary Corrugation 0.187"(5mm) | Cover Width 36"(914.4mm) | Overall Width 39.8"(1011.7mm) |
|-----------------------|-----------------------|--------------------------------------|-----------------------------|----------------------------------|

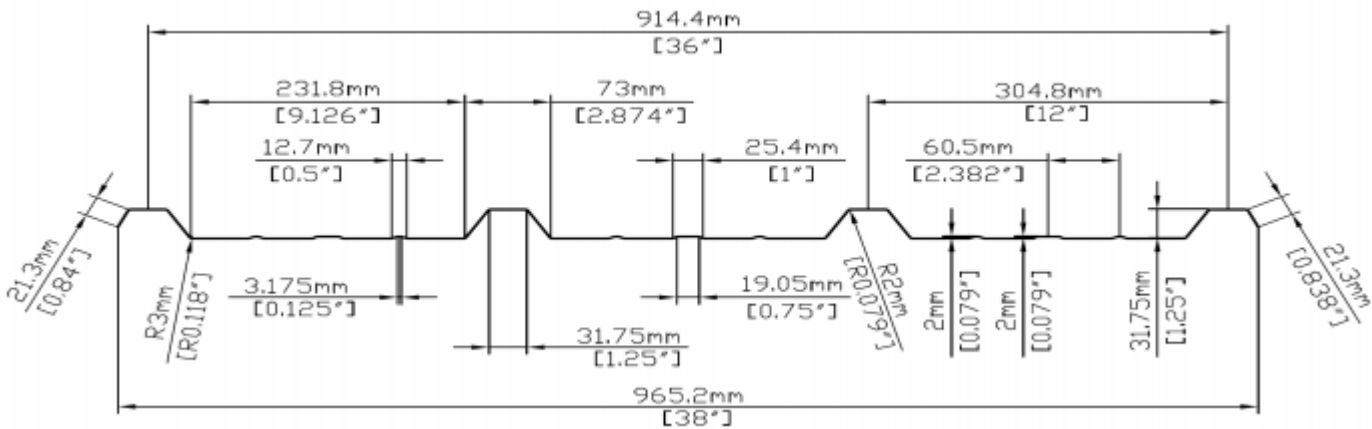
DMIPC7270 available by 12' 300 piece minimum order in 1.0mm or 1.5mm

To find a distributor call 855-800-8878 or visit www.directmetalsinc.com

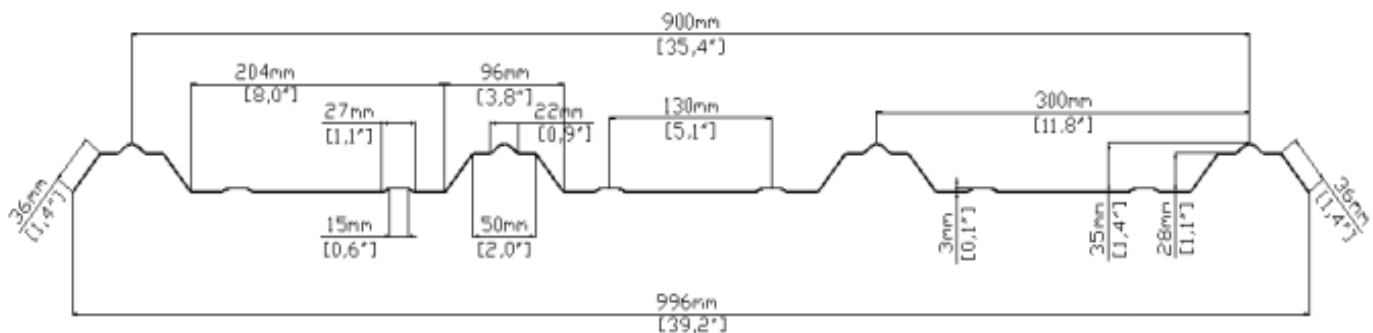
"R" Panel variants for translucent panels



DMIR5 available by 12' 300 piece minimum order in 1.0mm or 1.5mm



DMIPC3100 available by 12' 300 piece minimum order in 1.0mm or 1.5mm



DMIPC667 available by 12' 300 piece minimum order in 1.0mm or 1.5mm

To find a distributor call 855-800-8878 or visit www.directmetalsinc.com