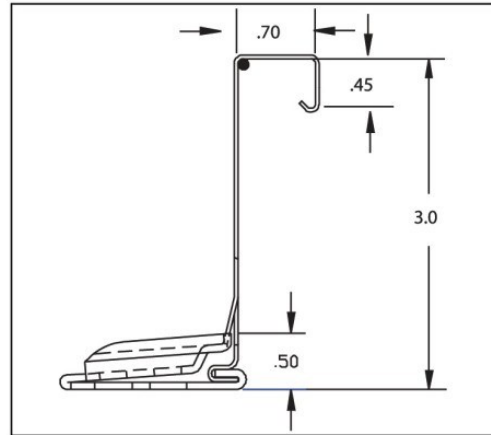
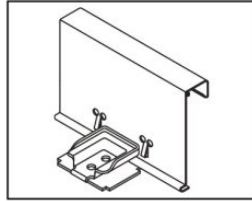


3" Panel Floating Clips

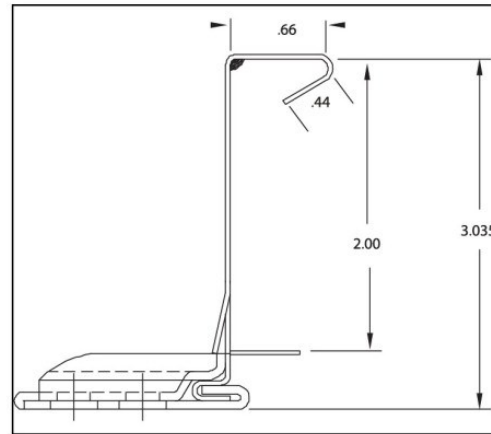
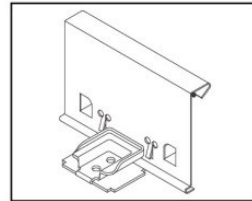


Height = 3.00"
Width = 4.30"
2-Hole



New Part No.	Original Part No.	Base Material	Tab Material	Ctn. Qty.
728906 with Sealant	M0414 with Sealant	16 ga. G-90 Galv.	22 ga. G-90 Galv.	100
1311600 with Sealant	-	16 ga. 304SS	24 ga. 304SS	100

Height = 3.035"
Width = 4.30"
2-Hole



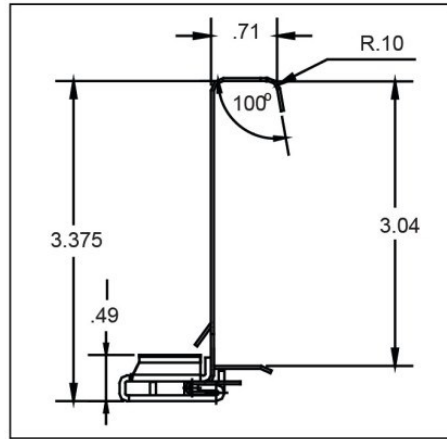
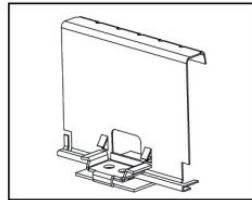
New Part No.	Original Part No.	Base Material	Tab Material	Ctn. Qty.
728908 with Sealant	M0485 with Sealant	16 ga. G-90 Galv.	22 ga. G-90 Galv.	60

To find a DMI distributor who can sell you DMI products please call 239-599-8527 or visit www.directmetalsinc.com
All Floating Panel Clips on this TDS are made to order and will involve lead times and minimum orders.

3" Panel Floating Clips

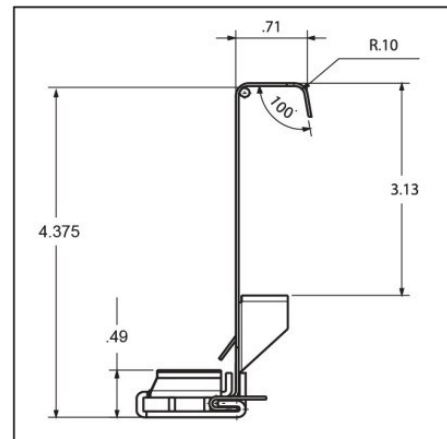
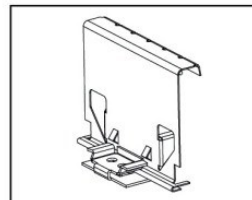


For 3" Panel
Height = 3.375"
Width = 4.30"
2-Hole



New Part No.	Original Part No.	Base Material	Tab Material	Ctn. Qty.
1020236	1020236	16 ga. G-90 Galv.	22 ga. G-90 Galv.	80

For 3" Panel
Height = 4.375"
Width = 4.30"
2-Hole



New Part No.	Original Part No.	Base Material	Tab Material	Ctn. Qty.
1020238	1020238	16 ga. G-90 Galv.	22 ga. G-90 Galv.	60

To find a DMI distributor who can sell you DMI products please call 239-599-8527 or visit www.directmetalsinc.com
All Floating Panel Clips on this TDS are made to order and will involve lead times and minimum orders.