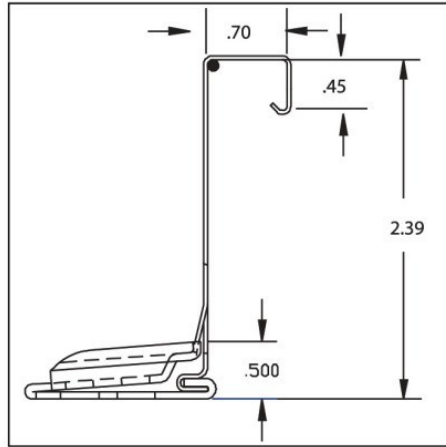
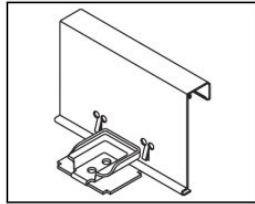


2" Panel Floating Clips

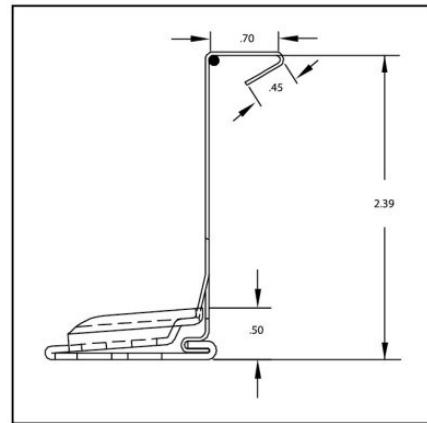
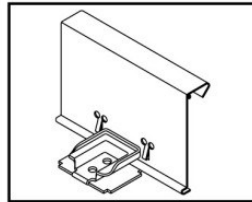


Height = 2.39"
Width = 4.30"
2-Hole



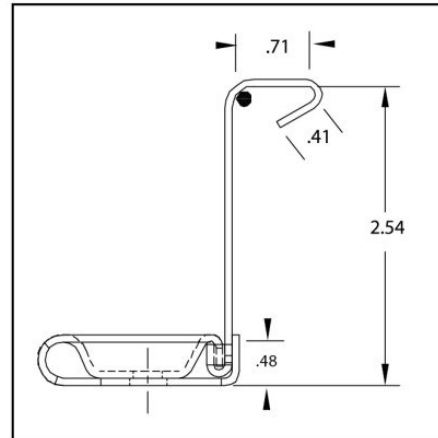
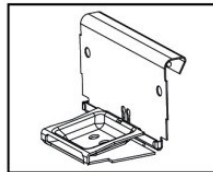
New Part No.	Original Part No.	Base Material	Tab Material	Ctn. Qty.
728902 with Sealant	M0413 with Sealant	16 ga. G-90 Galv.	22 ga. G-90 Galv.	100
732941 with Sealant	M0413-304 with Sealant	16 ga. G-90 Galv.	22 ga. 304SS	100

Height = 2.39"
Width = 4.30"
2-Hole



New Part No.	Original Part No.	Base Material	Tab Material	Ctn. Qty.
753279 with Sealant	M0413-MOD with Sealant	16 ga. G-90 Galv.	22 ga. G-90 Galv.	100
1311597 with Sealaant	1311597 with Sealaant	16 ga. 304SS	22 ga. 304SS	100
1395587 with Sealaant	1395587 with Sealaant	16 ga. 316SS	22 ga. 316SS	100

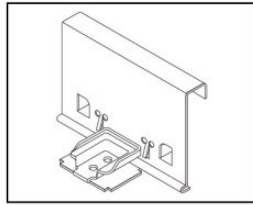
Height = 2.54"
Width = 4.30"
2-Hole



New Part No.	Original Part No.	Base Material	Tab Material	Ctn. Qty.
1158556 with Sealant	1158556 with Sealant	16 ga. G-90 Galv.	22 ga. G-90 Galv.	100
1384108 with Sealant	1384108 with Sealant	16 ga. G-90 Galv.	22 ga. 304SS	100
1314596 with Sealant	1314596 with Sealant	16 ga. 304SS	22 ga. 304SS	100
1331799 with Sealant	1331799 with Sealant	16 ga. 304SS	26 ga. 304SS	100

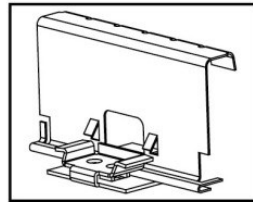
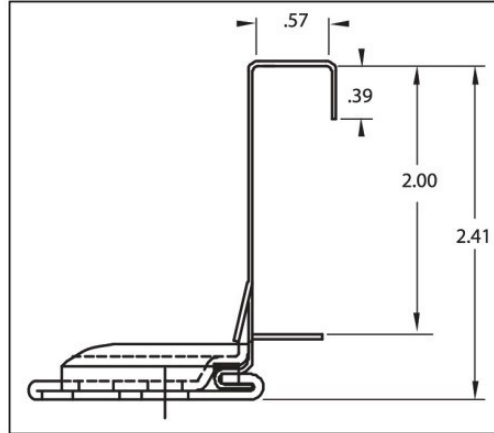
To find a DMI distributor who can sell you DMI products please call 239-599-8527 or visit www.directmetalsinc.com
All Floating Panel Clips on this TDS are made to order and will involve lead times and minimum orders.

2" Panel Floating Clips



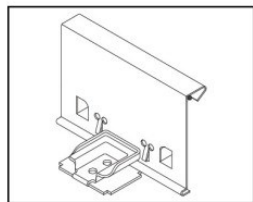
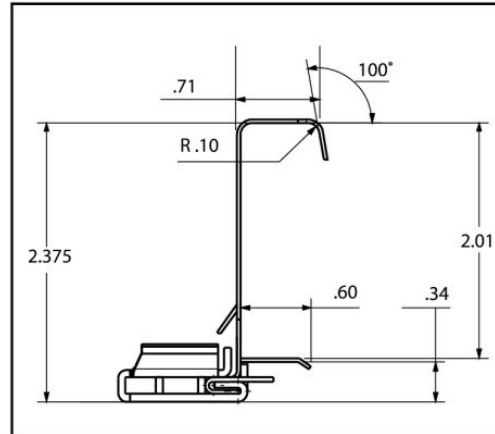
Height = 2.40"
Width = 4.30"
2-Hole

New Part No.	Original Part No.	Base Material	Tab Material	Ctn. Qty.
1069206	1069206	16 ga. G-90 Galv.	22 ga. G-90 Galv.	80
1142738	1142738	16 ga. G-90 Galv.	24 ga. G-90 Galv.	80
1069993	1069993	16 ga. G-90 Galv.	22 ga. 304SS	80
1257445	1257445	16 ga. G-90 Galv.	26 ga. 304SS	80
1233451	1233451	18 ga. G-90 Galv.	26 ga. 304SS	80
1318408	-	16 ga. 304SS	24 ga. 304SS	80
1213935	1213935	16 ga. 304SS	26 ga. 304SS	80



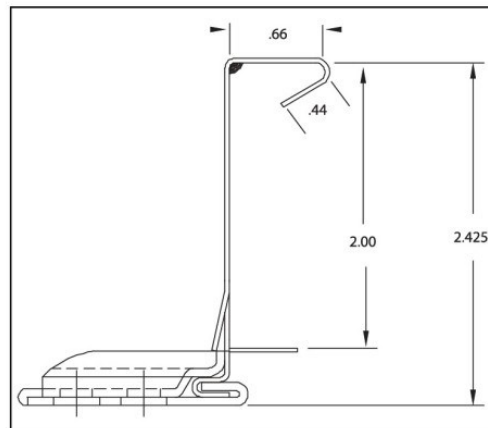
Height = 2.375"
Width = 4.30"
2-Hole

New Part No.	Original Part No.	Base Material	Tab Material	Ctn. Qty.
1020252	1020252	16 ga. G-90 Galv.	22 ga. G-90 Galv.	100
1184718 wth Sealant	1184718 wth Sealant	16 ga. G-90 Galv.	22 ga. G-90 Galv.	100
1258847	1258847	16 ga. G-90 Galv.	22 ga. 304SS	100
1398805 wth Sealant	1398805 wth Sealant	16 ga. G-90 Galv.	22 ga. 304SS	100



Height = 2.425"
Width = 4.30"
2-Hole

New Part No.	Original Part No.	Base Material	Tab Material	Ctn. Qty.
728907 with Sealant	M0480 with Sealant	16 ga. G-90 Galv.	22 ga. G-90 Galv.	80
747235 with Sealant	M0480-300 with Sealant	16 ga. G-90 Galv.	22 ga. 304SS	80



To find a DMI distributor who can sell you DMI products please call 239-599-8527 or visit www.directmetalsinc.com
All Floating Panel Clips on this TDS are made to order and will involve lead times and minimum orders.