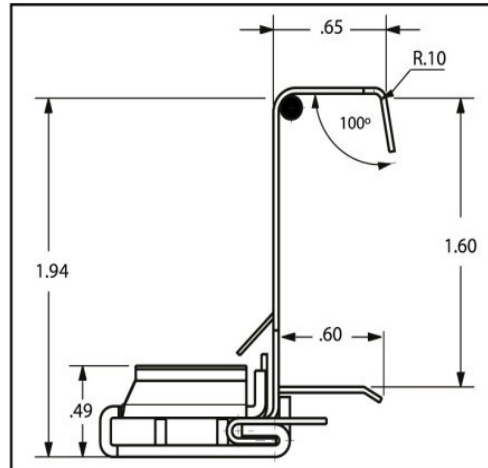
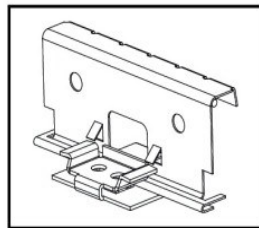


1-1/2" Panel Floating Clips

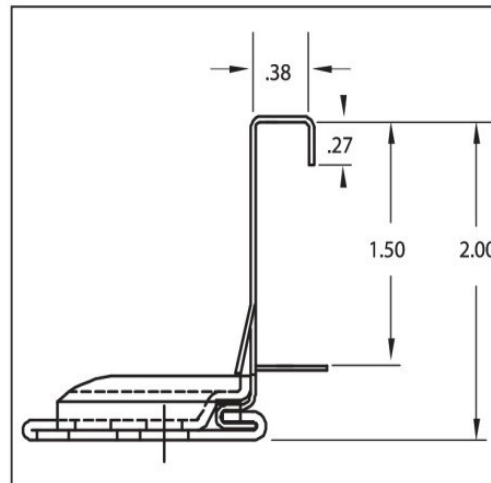
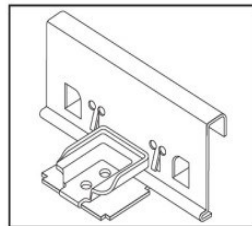


Height = 1.94"
Width = 4.30"
2-Hole



New Part No.	Original Part No.	Base Material	Tab Material	Ctn. Qty.
1183626 with Sealant	1183626 with Sealant	16 ga. G-90 Galv.	22 ga. G-90 Galv.	100
1374573 with Sealant	1374573 with Sealant	16 ga. G-90 Galv.	22 ga. 304SS	100

Height = 2.00"
Width = 4.20"
2-Hole



New Part No.	Original Part No.	Base Material	Tab Material	Ctn. Qty.
1069208	1069208	16 ga. G-90 Galv.	22 ga. G-90 Galv.	80
1069994	1069994	16 ga. G-90 Galv.	22 ga. 304SS	80
1291008	-	16 ga. G-90 Galv.	24 ga. 304SS	80
1222957	1222957	16 ga. G-90 Galv.	26 ga. 304SS	80
1165861	1165861	16 ga. 304SS	26 ga. 304SS	80

To find a DMI distributor who can sell you DMI products please call 239-599-8527 or visit www.directmetalsinc.com
All Floating Panel Clips on this TDS are made to order and will involve lead times and minimum orders.